

OPTION SELECTION EXAMPLE: XPDSL FNNJ

DISPOSITIF DE CONTRÔLE	(L) DIAMÈTRE MAXIMAL DU GICLEUR	(F) MATIÈRE DES JOINTS	(N)
L Vis de Réglage Standard	F .33 in. (8,4 mm)	N Buna N	
		V Viton	

INCLUDED COMPONENTS

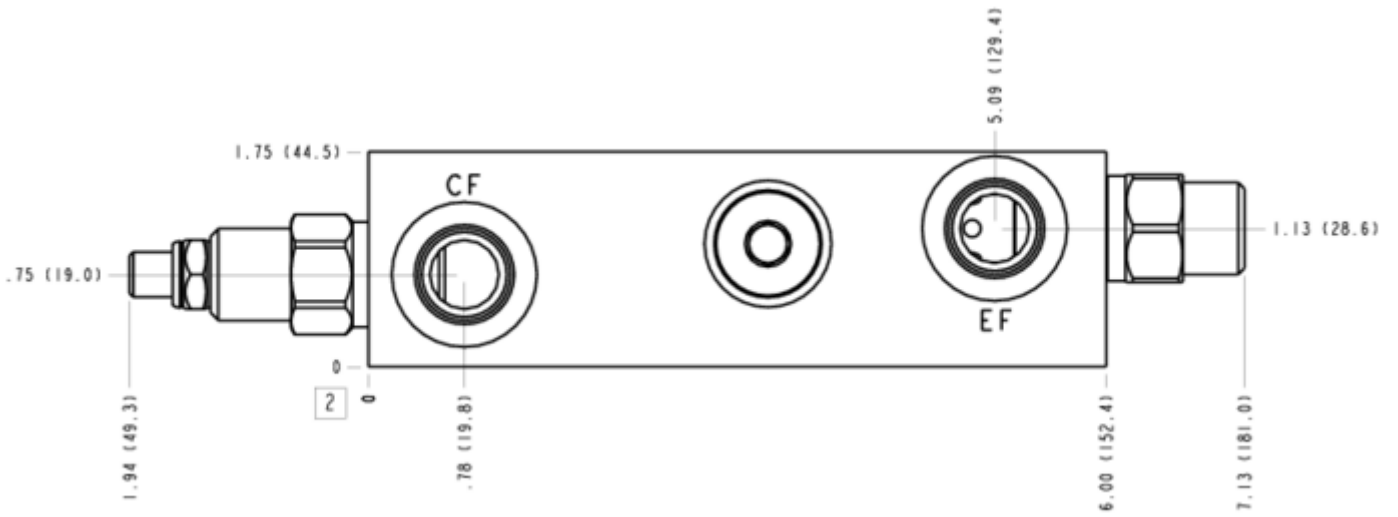
Part	Description	Quantity
280-038-031*	Orifice	1
A330-006-002*	SAE Plug	1
A330-006-004*	SAE Plug	1
A330-006-008*	SAE Plug	1
DMBFXNN	Cartridge	1
LHDAXFN	Cartridge	1
NFCDLFN	Cartridge - Primary	1
RBACLAN	Cartridge	1

MANIFOLD FACES

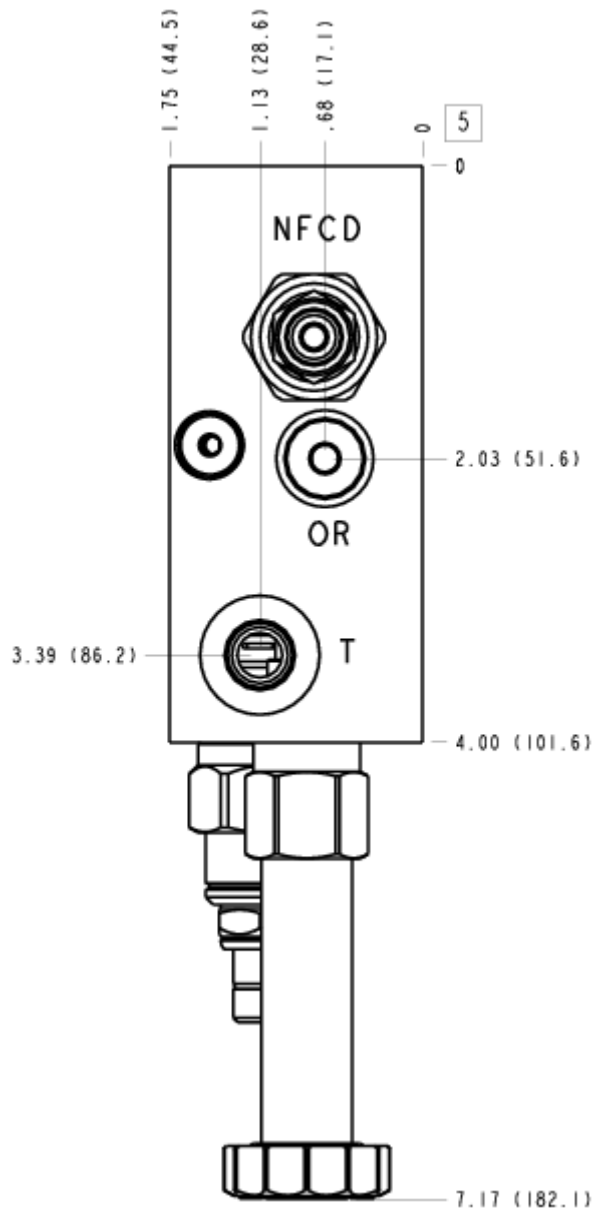
FACE GRID

1	2	3	4
5	6	7	8
9	10	11	12

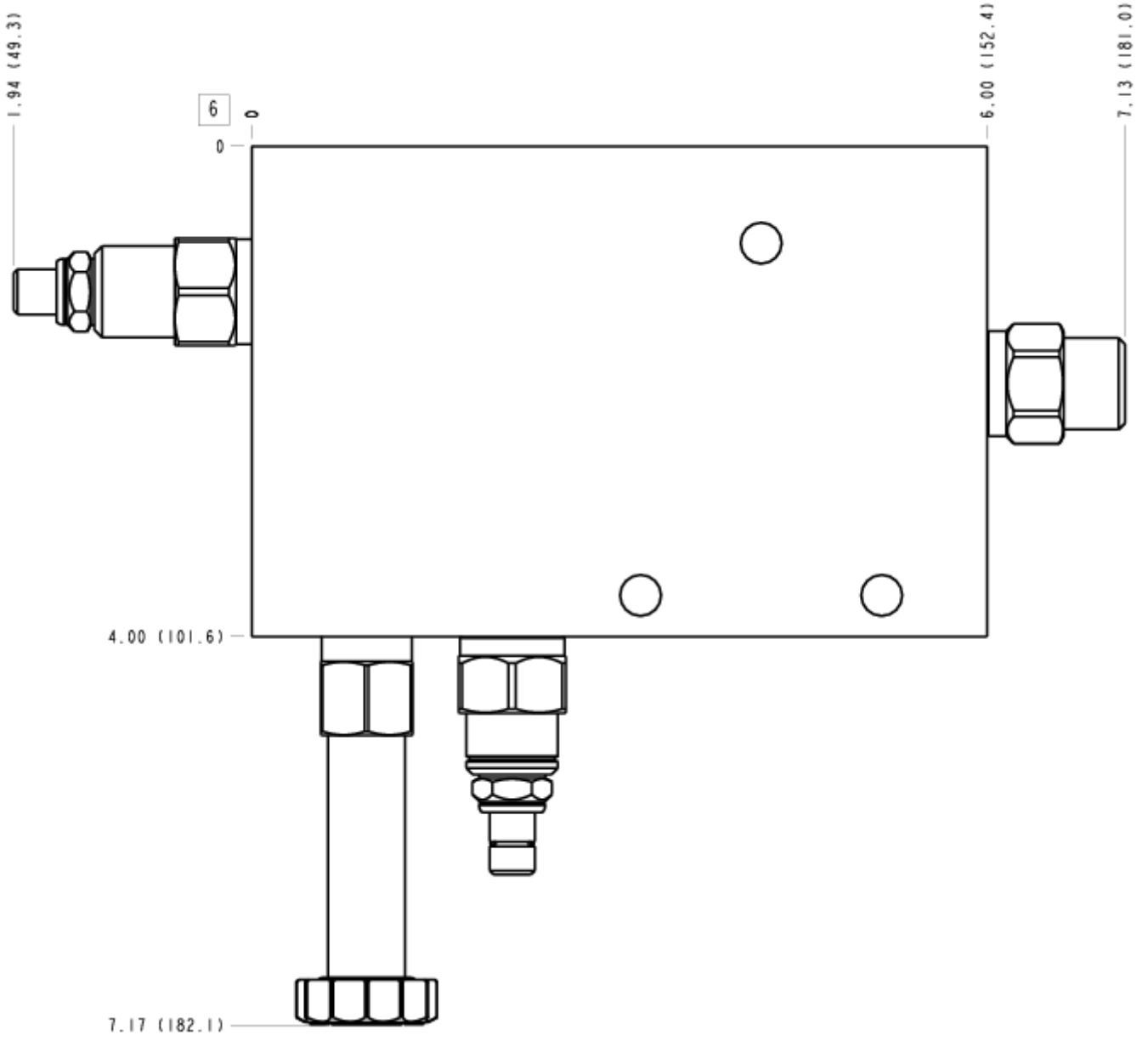
FACE 2



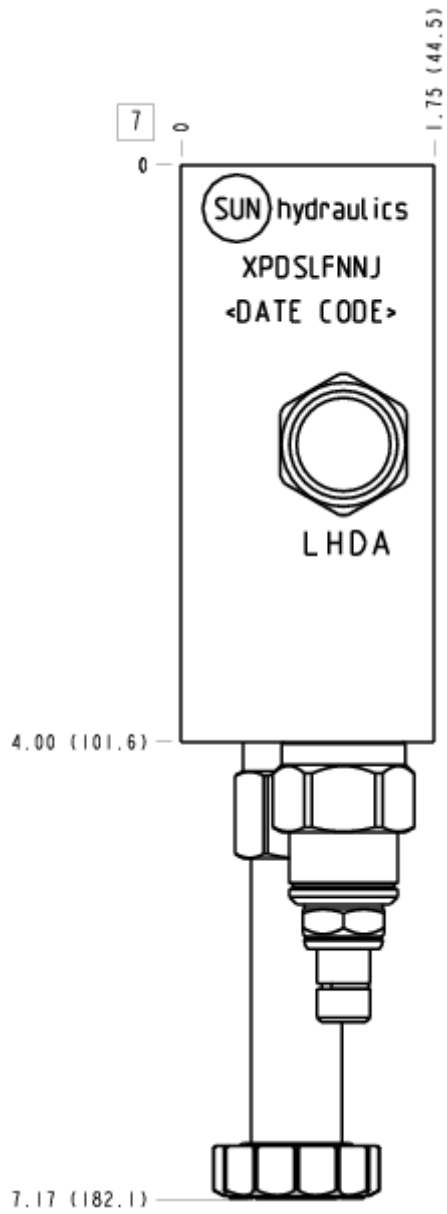
FACE 5



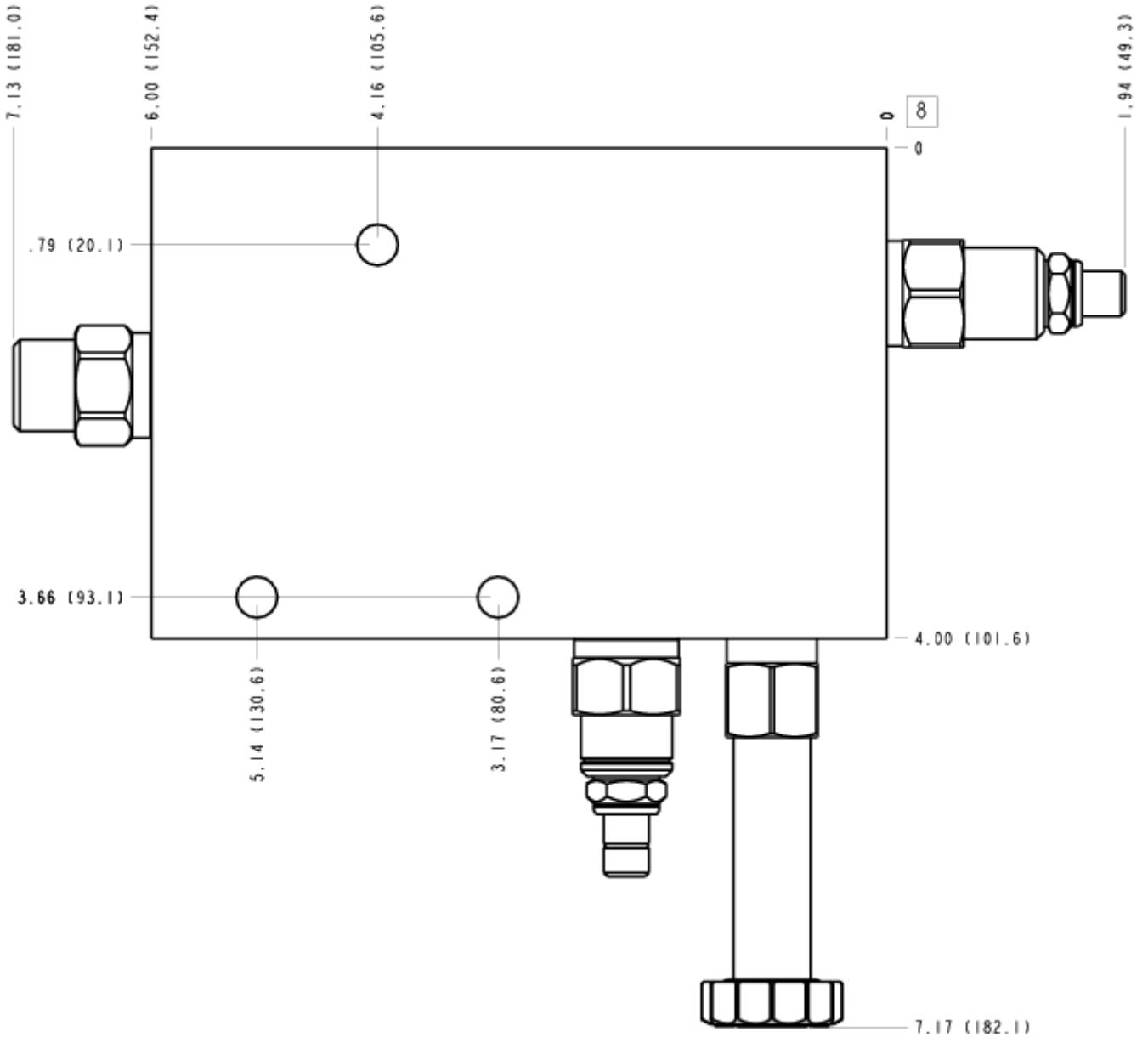
FACE 6



FACE 7



FACE 8



FACE 10

